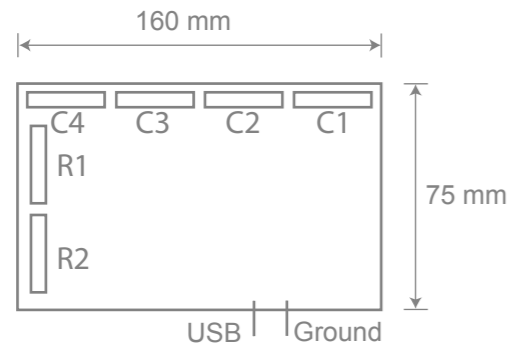
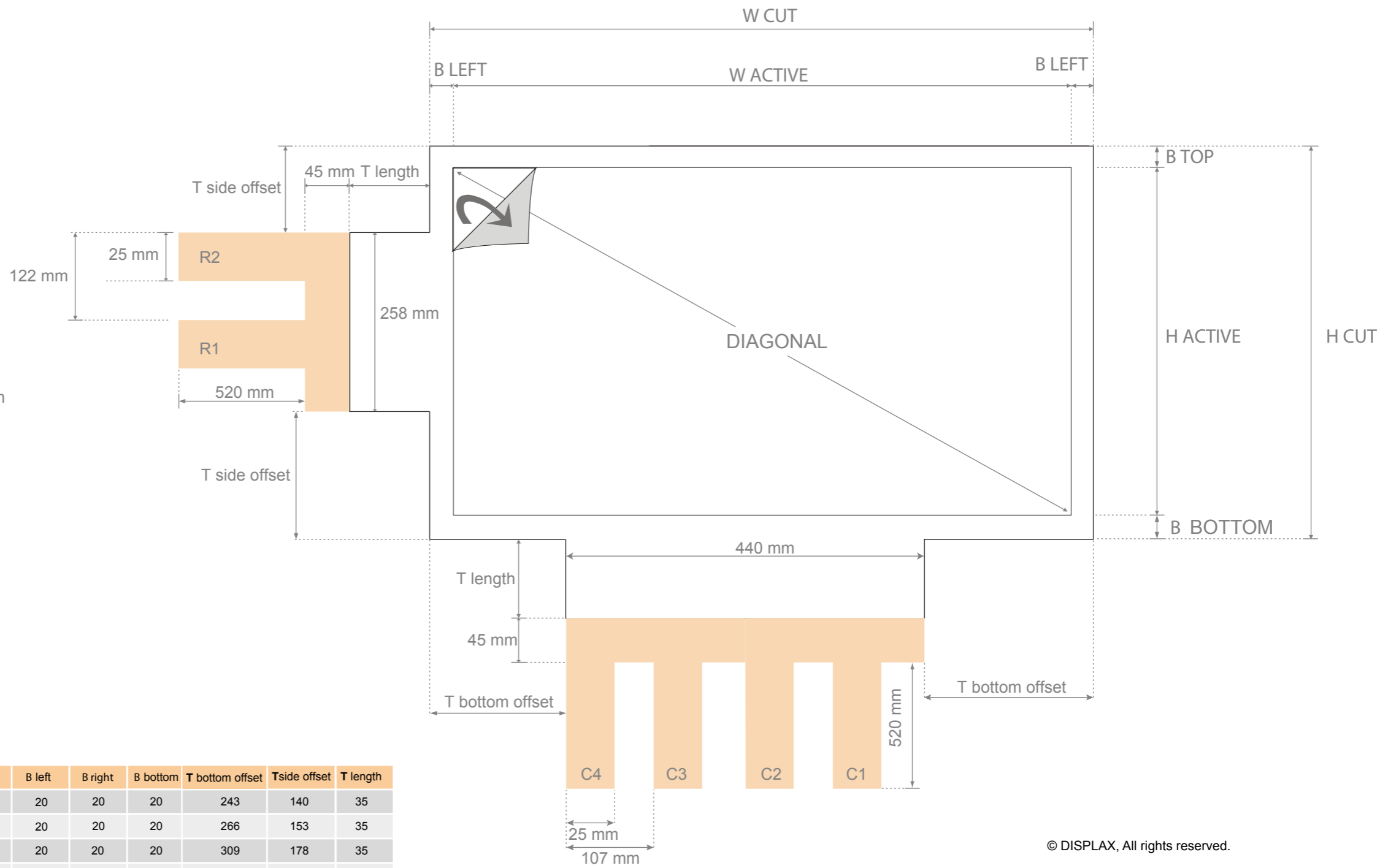


View from the user side

PCB dimensions



PCB height: 8mm
Flat cable length: 520mm



Standard sizes (mm)

Aspect Ratio 16:9

Diagonal	W active	H active	W cut	H cut	B top	B left	B right	B bottom	T bottom offset	T side offset	T length
40	885	498	925	538	20	20	20	20	243	140	35
42	932	524	972	564	20	20	20	20	266	153	35
46	1018	573	1058	613	20	20	20	20	309	178	35
47	1040	585	1080	625	20	20	20	20	320	184	35
50	1107	623	1147	663	20	20	20	20	354	203	35
52	1150	648	1190	688	20	20	20	20	375	215	35
55	1210	685	1250	725	20	20	20	20	405	234	35

© DISPLAX, All rights reserved.

This drawing and information here in is the property DISPLAX and is to be used in confidence. It shall not be copied or given to any third party without written permission from DISPLAX.

For more informations www.displax.com

Position LANDSCAPE 16:9				
Material SKIN - Polymer foil PCB - Fiberglass board Flex Cable - Polyester film	Date 19/08/2014 Drawn by DISPLAX			Title SKIN ULTRA STANDARD SIZES DRAWING
Projection Third Angle Projection All dimensions in millimeters				
		Drawing Number v.1.0	Document code MKT.224.4	Sheet 1 of 1